

TESA VERIBOR Light Bore Gauge

Bore gauge with 2-point contact made to measure bores and form errors – Self-centring – Can equally be used with a dial gauge, precision indicator or any other sensor type having a 8 h6 dia. clamping shaft.



Measuring bolts and anvils in steel, hardened to 60 HRC ± 2 and 63 HRC ± 3 , respectively.

Mount for a sensor having a 8h6 dia. clamping shaft

2 μm

4 μm

Set including 1 single TESA VERIBOR Light plus 1 set of interchangeable fixed inserts covering the whole application range.

Wooden case

Declaration of conformity



05710090

TESA Veribor Light

mm

Bolt travel, mm

Measuring depth, mm

05710091

TESA Veribor Light

18 ÷ 35

1,30

176

05710092

TESA Veribor Light

35 ÷ 60

1,40

178

05710093

TESA Veribor Light

50 ÷ 150

1,40

178

18 ÷ 150

1,30 / 1,40

176 / 178

Dial gauge not included





TESA VERIBOR Bore Gauges

Proven construction and high reliability over decades – Perform 2-point measurements of bores from 4,5 up to 550 mm – Detect form and shape errors – Gauge body with a 8 mm diameter fixing bore for a dial gauge, precision indicator or any other sensor.

- High repeatability through the circular reversing element inside the gauge, virtually free from clearance.
- Gauge body made of invar steel to prevent the measurement results from being affected by hand warmth transfer.
- Centring shoe to ensure a correct alignment of the gauge into the bore to be checked.
- Tungsten carbide ball tips for high resistance to wear.



TESA VERIBOR without dial gauge

	
	mm
05710012	4,5 ÷ 6
05710013	6 ÷ 12,5
05710014	12 ÷ 25
05710015	25 ÷ 50
05710016	50 ÷ 150
05710018	50 ÷ 300
05710017	240 ÷ 550



See tables



Measuring bolts and anvils fitted with tungsten carbide ball tips



Mount for a sensor having a 8 h6 dia. clamping shaft



2 µm (VERIBOR alone)



± 2s = 0,5 µm (VERIBOR alone)



Set including 1 single TESA VERIBOR Light plus 1 set of interchangeable fixed inserts covering the whole application range.



Wooden case



Declaration of conformity

TESA VERIBOR with dial gauge



Full set including 1 single TESA VERIBOR Light plus 1 set of interchangeable fixed inserts covering the whole application range, 1 dial gauge as shown in the table opposite, 1 dial gauge guard.

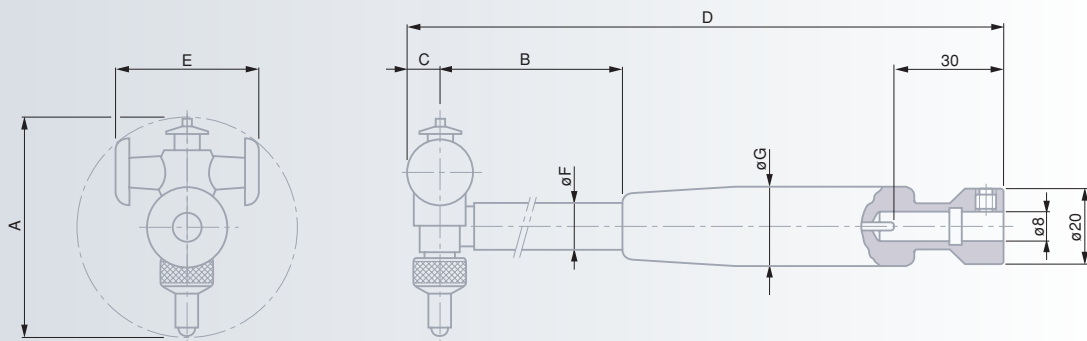
Wooden case

Declaration of conformity

No		No		No		No		mm	
05710054		05710061						4,5 ÷ 6	
05710055		05710062						6 ÷ 12,5	
05710056		05710063						12 ÷ 25	
				05710057		05710064		25 ÷ 50	
				05710058		05710065		50 ÷ 150	
				05710059		05710066		50 ÷ 300	
				05710060		05710067		240 ÷ 550	

Provided with a TESA dial gauge

No	01412010	01412510	01412310	01412511
mm	40	40	58	58
mm	0,01	0,001	0,01	0,001



A mm	mm	B mm	C mm	D mm	E mm	F mm	G mm
4,5 ÷ 6	0,35	74	2	138	3,3	3,8	16
6 ÷ 12,5	0,5	93	2,6	156	4,3	4,9	16
12 ÷ 25	0,9	106	4,5	194	7,8	7,9	19
25 ÷ 50	1,3	140	6	228	16	8	19
50 ÷ 150	1,4	173	10	279	36	12	23
50 ÷ 300	1,4	173	10	279	36/66	12	23
240 ÷ 550	1,6	227	14	347	112	18	28

Special Versions

Available on request:

- TESA VERIBOR for blind bores and centring shoulders.
- TESA VERIBOR elbow-shaped for hard-to-reach bores.
- Handtools for measuring the distance between two plan-parallel surfaces.
- Handtools for inspecting gear pitch diameters.

Optional Accessories for TESA VERIBOR Bore Gauges



Set of extensions

For extending the application range of VERIBOR No. 05710016, 05710058 and 05710065 up to 300 mm dia.



mm

05740001

Consisting of:

1 Centring shoe

3 Extensions 50 mm



Depth extensions (not pictured)

To be mounted on each tool shaft from diameters ≥ 25 to ≤ 550 mm for depth increase (Size B – Drawing on page G-13).



mm

05760026 250

05760027 500

05760028 750

05760029 1000

Dial gauge guard

Protects the dial gauge against shocks. Also prevents the dial from being inadvertently rotated.



mm

05760012 $\varnothing 40$

05760013 $\varnothing 58$



Cable holder

Used for the probe cable. To be mounted at the end of the gauge shaft.



05760014



Clear/Memory switch

Cancels any value captured through the electronic unit such as TESATRONIC, easily and quickly.



05760025



Setting device

Uses gauge blocks that serve as material measures (not included in delivery scope). Supplied in a wooden case.



mm

05740004 4,5 ÷ 300

05740005 160 ÷ 550

