

TESA MICROMASTER

Electronic Micrometers with Digital Display



With patented TESA capa μ system

- Measuring span of 30 mm or 25 mm.
- Large easy-to-read digital display
- Models:
 - EASY with a single function key
 - IP54 with water spray protection as well as IP54 RS with added RS 232 interface



MICROMASTER EASY

| | | | | | | |
|-----------------|--------|--------|---------|---------|------|---|
| 06030010 | 0 ÷ 30 | 0 ÷ 30 | 0 ÷ 1.2 | 0 ÷ 1.2 | IP40 | – |
|-----------------|--------|--------|---------|---------|------|---|

MICROMASTER IP54

| | | | | | | |
|-----------------|----------|----------|---------|-----------|------|---|
| 06030020 | 0 ÷ 30 | 0 ÷ 30 | 0 ÷ 1.2 | 0 ÷ 1.2 | IP54 | – |
| 06030021 | 25 ÷ 50 | 23 ÷ 53 | 1 ÷ 2 | 0.9 ÷ 2.1 | IP54 | – |
| 06030022 | 50 ÷ 75 | 48 ÷ 78 | 2 ÷ 3 | 1.9 ÷ 3.1 | IP54 | – |
| 06030023 | 75 ÷ 100 | 74 ÷ 104 | 3 ÷ 4 | 2.9 ÷ 4.1 | IP54 | – |

MICROMASTER IP54 RS

| | | | | | | |
|-----------------|-----------|-----------|---------|--------------|------|--------|
| 06030030 | 0 ÷ 30 | 0 ÷ 30 | 0 ÷ 1.2 | 0 ÷ 1.2 | IP54 | RS 232 |
| 06030031 | 25 ÷ 50 | 23 ÷ 53 | 1 ÷ 2 | 0.9 ÷ 2.1 | IP54 | RS 232 |
| 06030032 | 50 ÷ 75 | 48 ÷ 78 | 2 ÷ 3 | 1.9 ÷ 3.1 | IP54 | RS 232 |
| 06030033 | 75 ÷ 100 | 74 ÷ 104 | 3 ÷ 4 | 2.9 ÷ 4.1 | IP54 | RS 232 |
| 06030071 | 100 ÷ 125 | 98 ÷ 127 | 4 ÷ 5 | 3.9 ÷ 5.01 | IP54 | RS 232 |
| 06030072 | 125 ÷ 150 | 123 ÷ 152 | 5 ÷ 6 | 4.9 ÷ 6.01 | IP54 | RS 232 |
| 06030073 | 150 ÷ 175 | 149 ÷ 178 | 6 ÷ 7 | 5.9 ÷ 7.01 | IP54 | RS 232 |
| 06030074 | 175 ÷ 200 | 174 ÷ 203 | 7 ÷ 8 | 6.9 ÷ 8.01 | IP54 | RS 232 |
| 06030075 | 200 ÷ 225 | 199 ÷ 229 | 8 ÷ 9 | 7.9 ÷ 9.01 | IP54 | RS 232 |
| 06030076 | 225 ÷ 250 | 224 ÷ 254 | 9 ÷ 10 | 8.9 ÷ 10.01 | IP54 | RS 232 |
| 06030077 | 250 ÷ 275 | 250 ÷ 279 | 10 ÷ 11 | 9.9 ÷ 11.01 | IP54 | RS 232 |
| 06030078 | 275 ÷ 300 | 275 ÷ 304 | 11 ÷ 12 | 10.9 ÷ 12.01 | IP54 | RS 232 |

MICROMASTER Set



| | | |
|-----------------|-------------------------|--------|
| 06030029 | Micromaster Set IP54 RS | 0 ÷ 75 |
|-----------------|-------------------------|--------|

Consisting of:



| | | | | |
|-----------------|-------------------------|---------|------|-------|
| 06030030 | Micromaster IP54, RS | 0 ÷ 30 | IP54 | RS232 |
| 06030031 | Micromaster IP54, RS | 25 ÷ 50 | IP54 | RS232 |
| 06030032 | Micromaster IP54, RS | 50 ÷ 75 | IP54 | RS232 |
| 02119021 | Setting standard, 50 mm | | | |

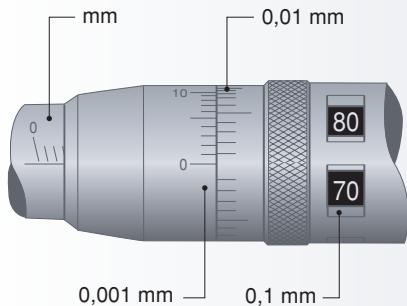
Optional Accessory

| | |
|-----------------|--|
| 01961000 | 1 Lithium battery, 3 V, 190 mAh, type CR 2032 – Connecting cables etc., see chapter N. |
|-----------------|--|



TESAMASTER Precision Micrometers with Digital Counter to 0,1 mm

Analogue indication of the full millimetres, hundredths and fractions of hundredth – Accurate, fast reading of the tenths of millimetres – Parallax-free reading of the thousandths of millimetres on vernier.



| No | mm | | |
|----------|-----------|---------------|---------------|
| | mm | μm | μm |
| 00310001 | 0 ÷ 25 | 2 | 1 |
| 00310002 | 25 ÷ 50 | 2 | 1,5 |
| 00310003 | 50 ÷ 75 | 3 | 1,5 |
| 00310004 | 75 ÷ 100 | 3 | 1,5 |
| 00310005 | 100 ÷ 125 | 4 | 2 |
| 00310006 | 125 ÷ 150 | 4 | 2,5 |
| 00310007 | 150 ÷ 175 | 5 | 3 |
| 00310008 | 175 ÷ 200 | 5 | 3 |
| 00310009 | 200 ÷ 225 | 6 | 3,5 |
| 00310010 | 225 ÷ 250 | 6 | 3,5 |
| 00310011 | 250 ÷ 275 | 7 | 4 |
| 00310012 | 275 ÷ 300 | 7 | 4 |

| No | in | | |
|----------|-------|---------------|---------------|
| | in | μm | μm |
| 00320001 | 0 ÷ 1 | 2 | 1 |
| 00320002 | 1 ÷ 2 | 2 | 1,5 |
| 00320003 | 2 ÷ 3 | 3 | 1,5 |
| 00320004 | 3 ÷ 4 | 3 | 1,5 |



DIN 863 T1
NF E 11-095

Vernier reading to 0,001 mm or 0.0001 in

Scale division: 0,1 mm or 0.005 in

Tungsten carbide tipped

≤ 100 mm: Ø 6,5 mm
> 100 mm: Ø 8 mm

0,5 mm

Max. 10 N

Plastic case

Identification number

Inspection report with a declaration of conformity

ETALON MICRORAPID 226 with 1 mm Revolution

High precision micrometers – Fast, accurate reading – No reading error of the half millimetres – Barrel with 1 mm pitch – Thimble with 100 graduations – Vernier reading to 0,001 mm.



| No | mm | | |
|-----------|----------|---------------|---------------|
| | mm | μm | μm |
| 072116406 | 0 ÷ 25 | 2 | 1 |
| 072116407 | 25 ÷ 50 | 2 | 1,5 |
| 072116408 | 50 ÷ 75 | 3 | 1,5 |
| 072116409 | 75 ÷ 100 | 3 | 1,5 |



DIN 863 T1
NF E 11-095

Parallax-free vernier reading to 0,001 mm

Tungsten carbide tipped

Ø 6,5 mm

1 mm

Max. 10 N

Plastic case

Identification number

Inspection report with a declaration of conformity

ETALON Basic to 0,001 mm

High accuracy – Parallax-free reading on vernier.



| No | | | |
|----------|----------|---|---|
| 00119051 | 0 ÷ 25 | 3 | 2 |
| 00119052 | 25 ÷ 50 | 3 | 2 |
| 00119053 | 50 ÷ 75 | 3 | 3 |
| 00119054 | 75 ÷ 100 | 3 | 3 |



DIN 863 T1
NF E 11-095

Parallax-free
vernier reading
to 0,001 mm

Tungsten carbide
tipped

Ø 6,5 mm

0,5 mm

Max. 10 N

Plastic case

Identification
number

Inspection report
with a declaration
of conformity

ETALON 260 Standard Models with Analogue Indication

The knurled sleeve only needs to be reversed to render the friction drive built into the thimble inactive.



| No | | | | |
|-----------|-----------|-------|---|-----|
| 071115887 | 0 ÷ 25 | 0,002 | 2 | 1 |
| 071115888 | 25 ÷ 50 | 0,002 | 2 | 1,5 |
| 071115889 | 50 ÷ 75 | 0,002 | 3 | 1,5 |
| 071115890 | 75 ÷ 100 | 0,002 | 3 | 1,5 |
| 071115891 | 100 ÷ 125 | 0,01 | 4 | 2 |
| 071115892 | 125 ÷ 150 | 0,01 | 4 | 2,5 |
| 071115893 | 150 ÷ 175 | 0,01 | 5 | 3 |
| 071115894 | 175 ÷ 200 | 0,01 | 5 | 3 |
| 071115895 | 200 ÷ 225 | 0,01 | 6 | 3,5 |
| 071115896 | 225 ÷ 250 | 0,01 | 6 | 3,5 |
| 071115897 | 250 ÷ 275 | 0,01 | 7 | 4 |
| 071115898 | 275 ÷ 300 | 0,01 | 7 | 4 |

| No | | | | |
|-----------|-------|--------|---|-----|
| 071115899 | 0 ÷ 1 | 0.0001 | 2 | 1 |
| 071115900 | 1 ÷ 2 | 0.0001 | 2 | 1,5 |
| 071115901 | 2 ÷ 3 | 0.0001 | 3 | 1,5 |
| 071115902 | 3 ÷ 4 | 0.0001 | 3 | 1,5 |



DIN 863 T1
NF E 11-095

0 to 100 mm
resp. 0 to 4 in
with vernier

Tungsten carbide
tipped

≤ 100 mm:
Ø 6,5 mm,
> 100 ≤ 300 mm:
Ø 8 mm

0,5 mm

Max. 10 N

Plastic case

Identification
number

Inspection report
with a declaration
of conformity

TESA ISOMASTER Standard Models with Analogue Indication

Slanted full millimetres on the barrel are set apart from the straight half millimetres to virtually eliminate reading errors.

The knurled sleeve needs only be reversed to render the friction drive built into the thimble inactive.



| No | mm | | No | in | |
|----------|-----------|------|----------|-------|--------|
| | mm | mm | | in | in |
| 00110101 | 0 ÷ 25 | 0,01 | 00120101 | 0 ÷ 1 | 0.0001 |
| 00110102 | 25 ÷ 50 | 0,01 | 00120102 | 1 ÷ 2 | 0.0001 |
| 00110103 | 50 ÷ 75 | 0,01 | 00120103 | 2 ÷ 3 | 0.0001 |
| 00110104 | 75 ÷ 100 | 0,01 | 00120104 | 3 ÷ 4 | 0.0001 |
| 00110105 | 100 ÷ 125 | 0,01 | | | |
| 00110106 | 125 ÷ 150 | 0,01 | | | |
| 00110107 | 150 ÷ 175 | 0,01 | | | |
| 00110108 | 175 ÷ 200 | 0,01 | | | |
| 00110109 | 200 ÷ 225 | 0,01 | | | |
| 00110110 | 225 ÷ 250 | 0,01 | | | |
| 00110111 | 250 ÷ 275 | 0,01 | | | |
| 00110112 | 275 ÷ 300 | 0,01 | | | |



Set of 4 TESA ISOMASTER

Same execution as above.

The models covering the application range 0 to 100 mm provide the quality that you need at competitive prices.

| No | mm |
|----------|---------|
| 00110113 | 0 ÷ 100 |

ETALON Basic to 0,01 mm



| No | mm |
|----------|----------|
| 00119046 | 0 ÷ 25 |
| 00119047 | 25 ÷ 50 |
| 00119048 | 50 ÷ 75 |
| 00119049 | 75 ÷ 100 |

Set of 4 ETALON Basic to 0,01 mm

| No | mm |
|----------|---------|
| 00119050 | 0 ÷ 100 |

- ✓
- DIN 863 T1
NF E 11-095
- Tungsten carbide
tipped
- ≤ 100 mm:
Ø 6,5 mm
> 100 ≤ 300 mm:
Ø 8 mm
- 0,5 mm
- Max. 10 N
- Plastic case
- Identification
number
- Inspection report
with a declaration
of conformity

- ✓
- Plastic case
- ✓
- DIN 863 T1
NF E 11-095

- 0,01 mm
- Tungsten carbide
tipped
- Ø 6,5 mm
- 0,5 mm
- Max. 10 N
- Plastic case
- Identification
number
- Inspection report
with a declaration
of conformity



DIN 863 T3
(forme D16)

0,001 mm
0.00005 in

Metric/Inch
conversion

30 mm
measuring span

0 ≤ 500 mm:
malleable
cast iron.
> 500 ≤ 1500 mm:
steel tube with insulating
grips. Max. flexure of the
frame under a measuring
force of 10 N: see the table
opposite

Tungsten carbide
tipped

Ø 8 mm

0,5 mm

Max. 10 N

LCD, digit height:
7 mm

RS 232

Other technical
data:
see page B-3

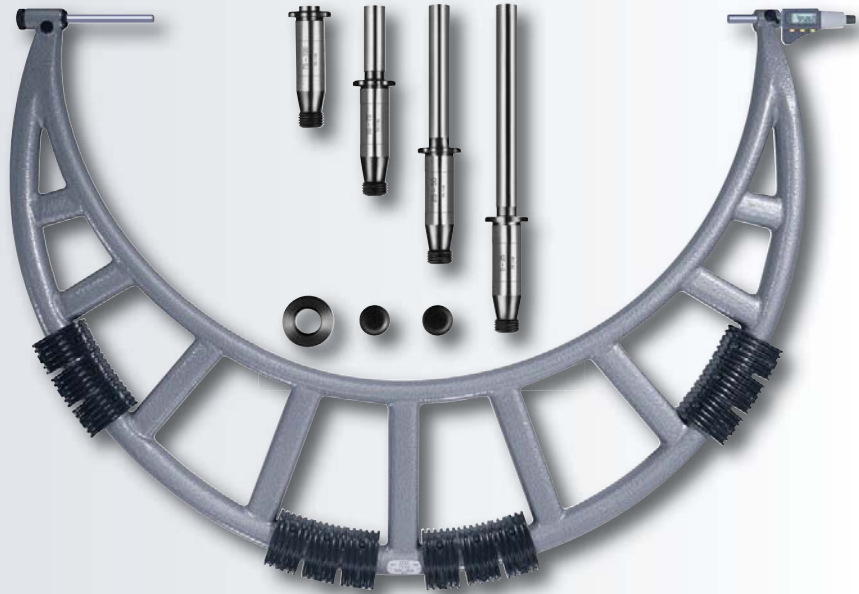
Wooden case

Identification
number

Inspection report
with a declaration
of conformity

MICROMASTER with interchangeable Anvils

All sets include 4 interchangeable anvils with increasing length in steps of 25 mm. Anvils are adjusted (and numbered) in sets, thus rendering the correction of the indication unnecessary whenever an anvil is exchanged.



| No | mm | in | μm | μm |
|----------|-------------|---------------|----|-----|
| 06030047 | 0 ÷ 100 | 0 ÷ 3.94 | 6 | 3 |
| 06030048 | 100 ÷ 200 | 3.94 ÷ 7.87 | 7 | 4,5 |
| 06030049 | 200 ÷ 300 | 7.87 ÷ 11.81 | 8 | 7 |
| 06030050 | 300 ÷ 400 | 11.81 ÷ 15.75 | 9 | 9 |
| 06030051 | 400 ÷ 500 | 15.75 ÷ 19.69 | 10 | 9 |
| 06030052 | 500 ÷ 600 | 19.69 ÷ 23.62 | 11 | 9 |
| 06030053 | 600 ÷ 700 | 23.62 ÷ 27.56 | 12 | 10 |
| 06030054 | 700 ÷ 800 | 27.56 ÷ 31.50 | 13 | 12 |
| 06030055 | 800 ÷ 900 | 31.50 ÷ 35.43 | 14 | 12 |
| 06030056 | 900 ÷ 1000 | 35.43 ÷ 39.37 | 15 | 16 |
| 06030057 | 1000 ÷ 1100 | 39.37 ÷ 43.31 | 16 | 16 |
| 06030058 | 1100 ÷ 1200 | 43.31 ÷ 47.24 | 17 | 17 |
| 06030059 | 1200 ÷ 1300 | 47.24 ÷ 51.20 | 18 | 17 |
| 06030060 | 1300 ÷ 1400 | 51.20 ÷ 55.12 | 19 | 17 |
| 06030061 | 1400 ÷ 1500 | 55.12 ÷ 59.06 | 20 | 18 |

Dial Gauge Element for MICROMASTER

Can replace the interchangeable anvils on AB series micrometers. Make finding the culmination point easier. Ensures a constant measuring force.

Supplied as standard accessory with the ABY series micrometers.



See next page

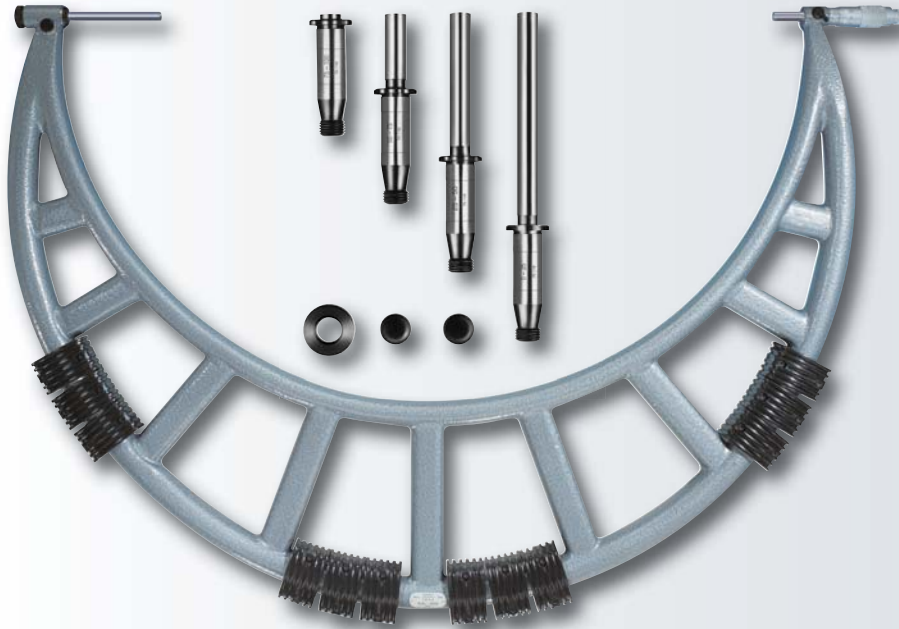
No



00140301



ISOMASTER AB with interchangeable Anvils

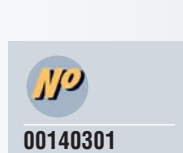
Lightweight, but rugged anvil micrometers. One set (No. 00140101) includes 4 interchangeable anvils with increasing length in steps of 25 mm. Anvils are adjusted (and numbered) in pairs, thus rendering any correction of the indication unnecessary whenever an anvil is exchanged.





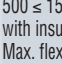
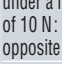







| No |  mm |  μm |  μm |
|----------|--|---|--|
| 00111901 | 0 ÷ 100 | 6 | 3 |
| 00111902 | 100 ÷ 200 | 7 | 4,5 |
| 00111903 | 200 ÷ 300 | 8 | 7 |
| 00111904 | 300 ÷ 400 | 9 | 9 |
| 00111905 | 400 ÷ 500 | 10 | 9 |
| 00111906 | 500 ÷ 600 | 11 | 9 |
| 00111907 | 600 ÷ 700 | 12 | 10 |
| 00111908 | 700 ÷ 800 | 13 | 12 |
| 00111909 | 800 ÷ 900 | 14 | 12 |
| 00111910 | 900 ÷ 1000 | 15 | 16 |
| 00111911 | 1000 ÷ 1100 | 16 | 16 |
| 00111912 | 1100 ÷ 1200 | 17 | 17 |
| 00111913 | 1200 ÷ 1300 | 18 | 17 |
| 00111914 | 1300 ÷ 1400 | 19 | 17 |
| 00111915 | 1400 ÷ 1500 | 20 | 18 |

Dial Gauge Element for AB Series Micrometers

Can replace the interchangeable anvils on these micrometers. Make finding the culmination point easier. Ensures a constant measuring force. Supplied as standard accessory with the ABY series micrometers.



-  ✓
-  DIN 863 T3 (Style D16) NF E 11-090
-  0,01 mm
-  0 ≤ 500 mm: malleable cast iron; 500 ≤ 1500 mm: steel tube with insulating grips. Max. flexure of the frame under a measuring force of 10 N: see the table opposite
-  Tungsten carbide tipped
-  8 mm dia.
-  0,5 mm
-  Max. 10 N
-  Wooden case
-  Identification number
-  Declaration of conformity

-  ✓
-  ± 1,5 mm
-  0,01 mm
-  Tungsten carbide tipped
-  8 mm dia.
-  Max. 10 N
-  Meas. element: 11 mm dia., 100 mm long. Dial gauge No. 01410211: 40 mm dial diameter, two-way dial reading.
-  Identification number
-  With dial gauge and clamp
-  Declaration of conformity



DIN 863 T3
(Style D15)
NF E 11-090

0,01 mm

0 ≤ 500 mm:
malleable
cast iron;
> 500 ≤ 1500 mm: steel
tube with insulating grips.
Max. flexure of the frame
under a measuring force
of 10 N: see the table
opposite

Tungsten carbide
tipped

8 mm dia.

0,5 mm

Max. 10 N

Dial gauge:
see on
page B-8

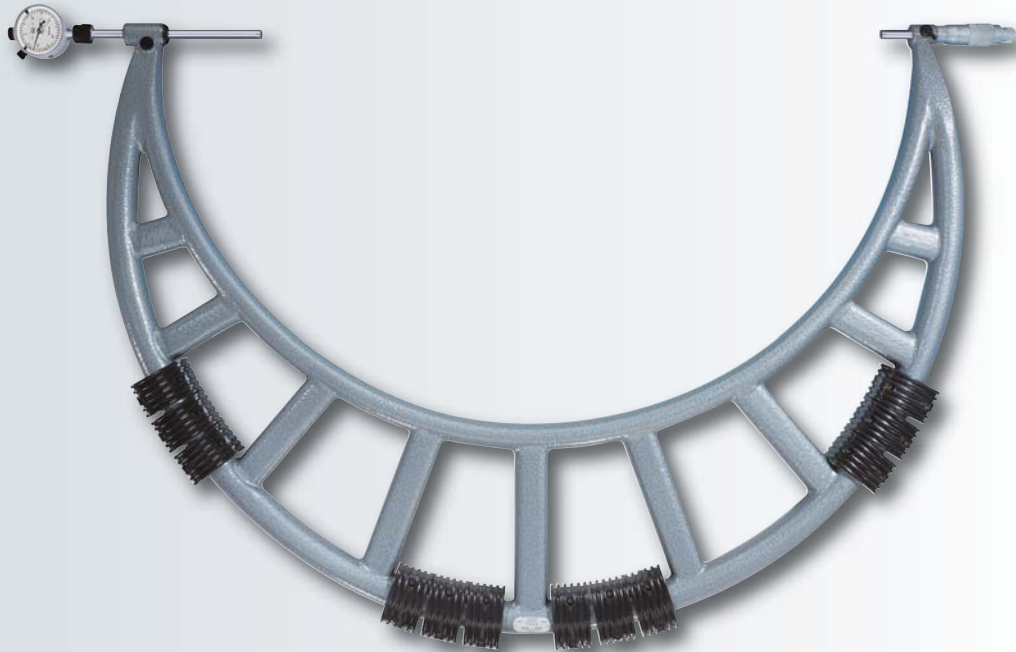
Wooden case

Identification
number

Declaration
of conformity

Series ABY ISOMASTER with Adjustable Dial Gauge Element

Similar to the series AB micrometers, but equipped with the adjustable dial gauge element No. 00140301 that helps you to find the culmination point easier with a constant measuring force.



| No | mm | µm | µm |
|----------|-------------|----|-----|
| 00112001 | 0 ÷ 100 | 6 | 3 |
| 00112002 | 100 ÷ 200 | 7 | 4,5 |
| 00112003 | 200 ÷ 300 | 8 | 7 |
| 00112004 | 300 ÷ 400 | 9 | 9 |
| 00112005 | 400 ÷ 500 | 10 | 9 |
| 00112006 | 500 ÷ 600 | 11 | 9 |
| 00112007 | 600 ÷ 700 | 12 | 10 |
| 00112008 | 700 ÷ 800 | 13 | 12 |
| 00112009 | 800 ÷ 900 | 14 | 12 |
| 00112010 | 900 ÷ 1000 | 15 | 16 |
| 00112011 | 1000 ÷ 1100 | 16 | 16 |
| 00112012 | 1100 ÷ 1200 | 17 | 17 |
| 00112013 | 1200 ÷ 1300 | 18 | 17 |
| 00112014 | 1300 ÷ 1400 | 19 | 17 |
| 00112015 | 1400 ÷ 1500 | 20 | 18 |

Interchangeable Anvils for Series ABY ISOMASTER

Set of 4 interchangeable anvils with increasing length in steps of 25 mm. The anvils are adjusted and numbered in pairs, thus eliminating the need for resetting the indication when exchanging either of them.

Supplied as standard accessories with the AB series micrometers.

No
00140101



DIN 863 T3
(Style D16)
NF E 11-090

Tungsten carbide
tipped

8 mm dia.

Set includes
2 covers for the
frame as well as
1 clamping nut

Identification
number